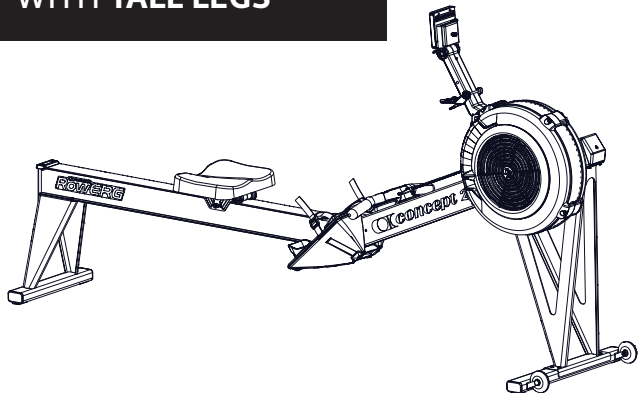


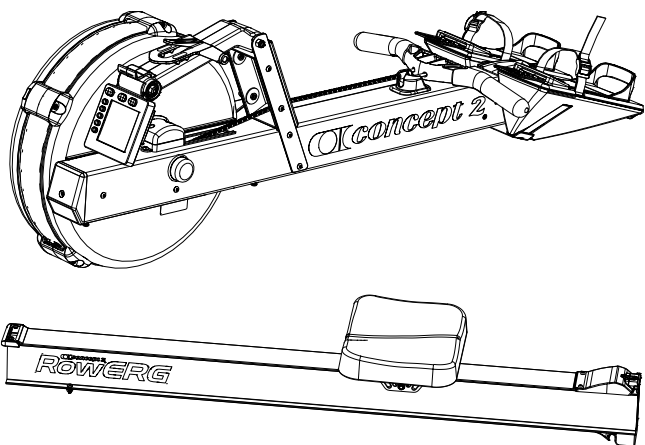
**ROWERG WITH TALL LEGS ASSEMBLY - PAGE 2**  
**TALL LEGS RETROFIT - PAGE 4**

**WITH TALL LEGS**



Weight: 68 lb (31 kg)  
 Dimensions: 8 ft x 2 ft (244 cm x 61 cm)  
 Space Required for use: 9 ft x 4 ft (274 cm x 122 cm)  
 Weight Capacity: 500 lb (227 kg) as tested by Concept2\*  
 \*300 lb (135 kg) as tested per European Stationary Fitness  
 Equipment Testing Standard EN 20957-7

**RowErg Assembly**  
**BOX 1**



**RowErg Assembly & Tall Legs Retrofit**  
**BOX 2**



T-27 DRIVER  
 PN 2230

Not to scale

BAG 2952



x 8  
 3/4" (1.9 cm)  
 PN 2233

BAG 2331

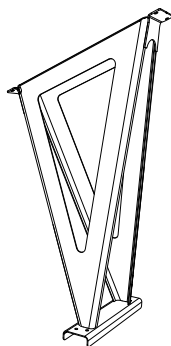


\* x 4  
 5/8" (1.58 cm)  
 PN 2395

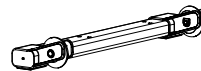


\* x 4  
 PN 2394

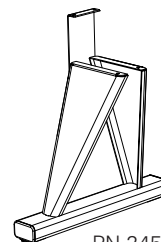
**Note:** There will be two remaining PN 2395 and two remaining PN 2394 after completing RowErg Assembly. **ALL** hardware will be used for Tall Legs Retrofit.



PN 7109



PN 2465



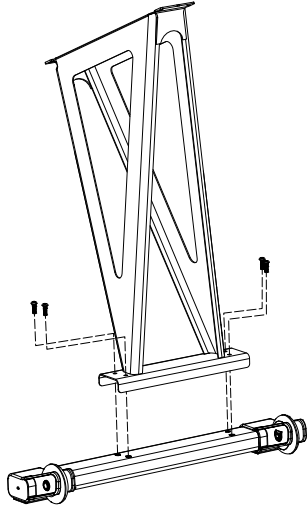
PN 2453



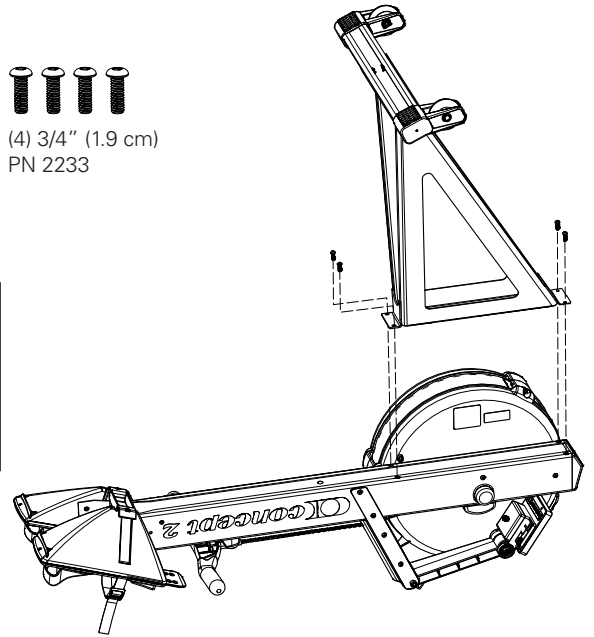
**Questions? Comments? Problems?**

Contact Concept2 directly at **800.245.5676** (US and Canada)  
 Or visit us online: **concept2.com**

- 1**   
(4) 3/4" (1.9 cm)  
PN 2233

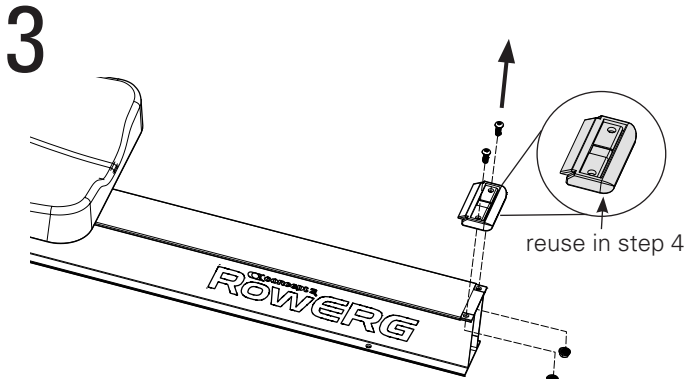


- 2**   
(4) 3/4" (1.9 cm)  
PN 2233

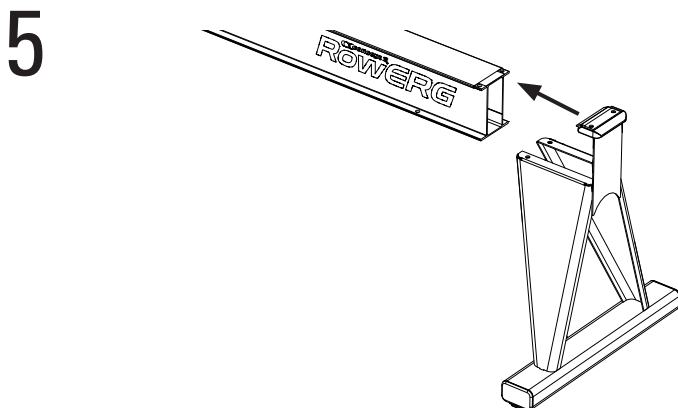
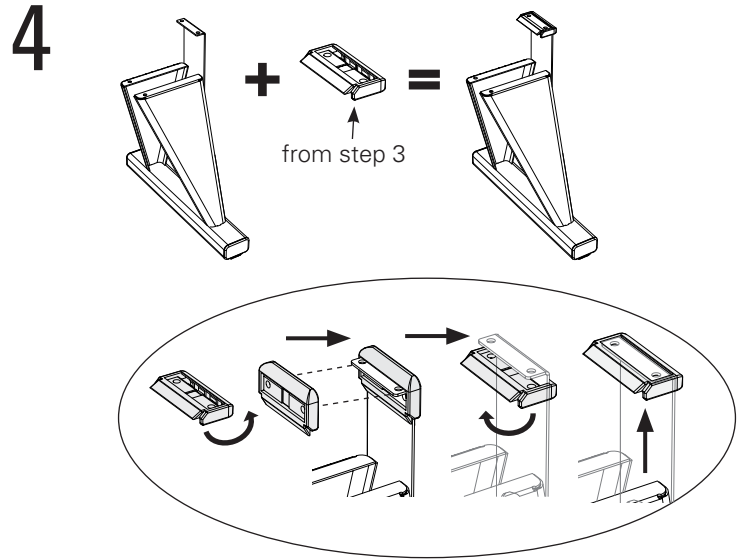


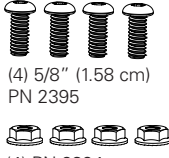
**ASSEMBLY TIP**

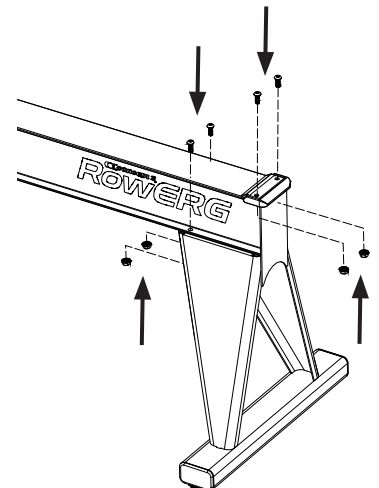
Do not fully tighten screws until all screws are in place.



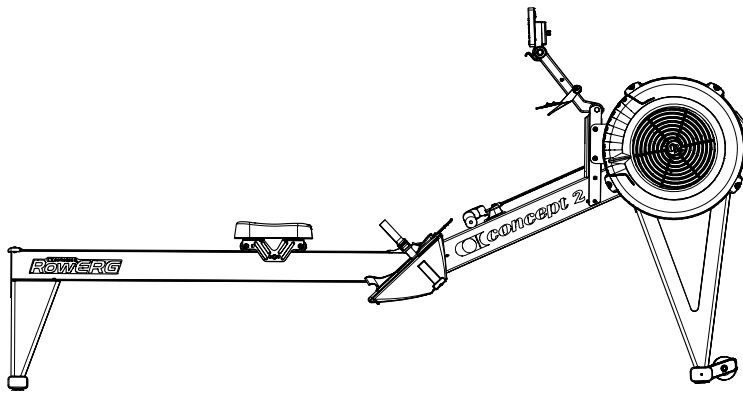
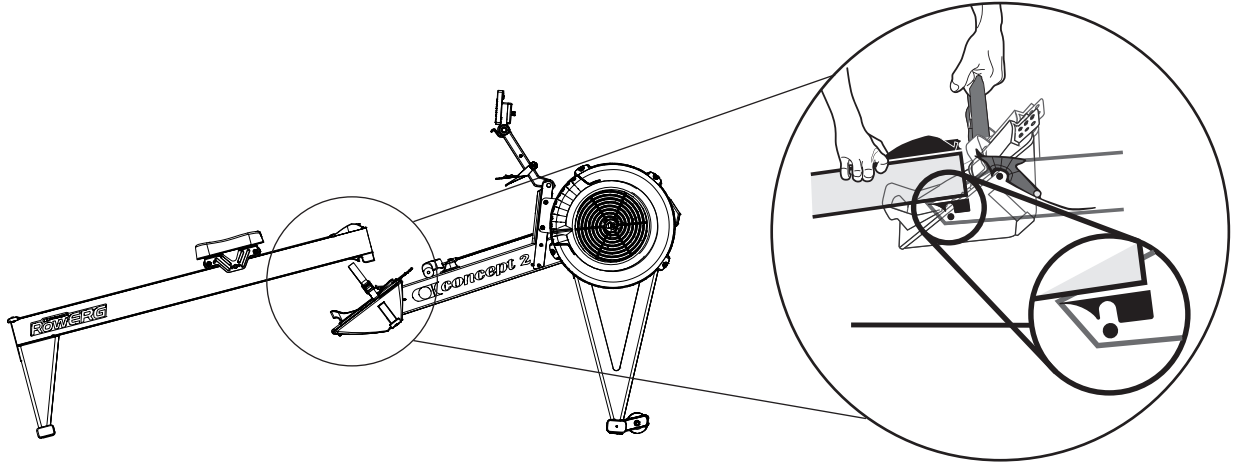
**IMPORTANT**  
Two screws and two nuts will be reinstalled in step 6.



- 6**   
(4) 5/8" (1.58 cm)  
PN 2395  
(4) PN 2394

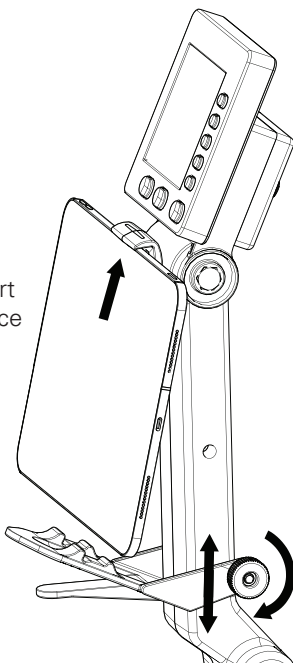


# 7



### How to Use the Device Holder

Insert device



Loosen knob to slide lower bracket up or down.

**Important:**  
Tighten knob when device is in place.



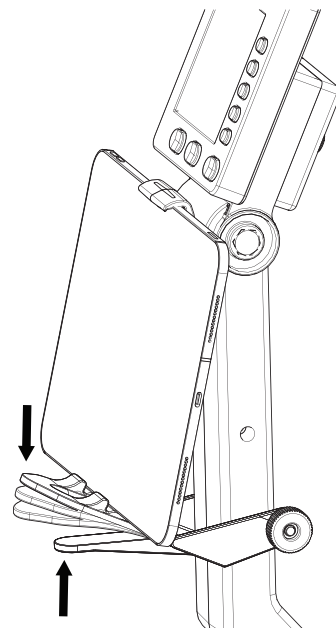
Download our **FREE** ErgData app for:

- Workouts
- More data displays
- Real time rowing with the Concept2 community

[concept2.com/ergdata](http://concept2.com/ergdata)

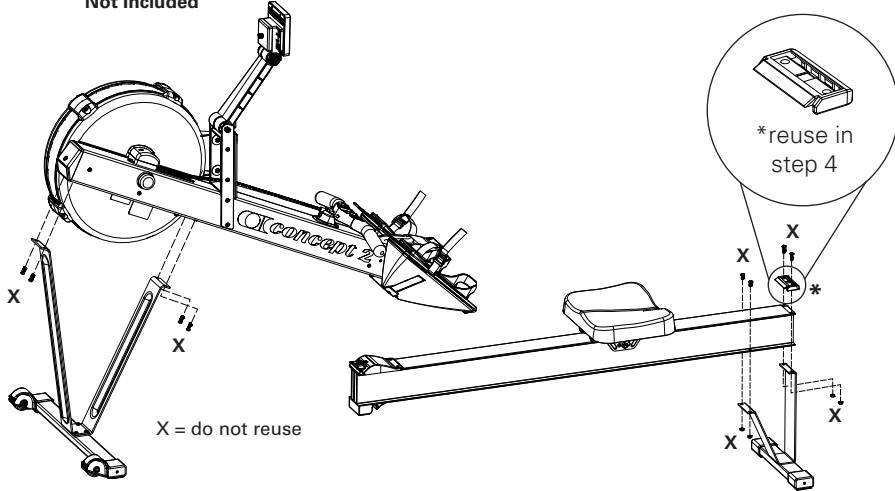


Pinch and release to remove device.



# TALL LEGS RETROFIT INSTRUCTIONS (Refer to page 1, "Box 2" for parts list)

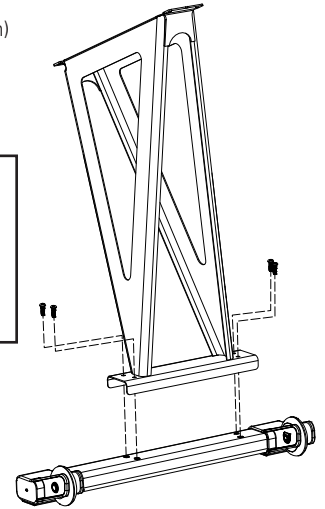
**1**   
7/16" Socket Wrench  
Not Included




**2**   
(4) 3/4" (1.9 cm)  
PN 2233

**ASSEMBLY TIP**

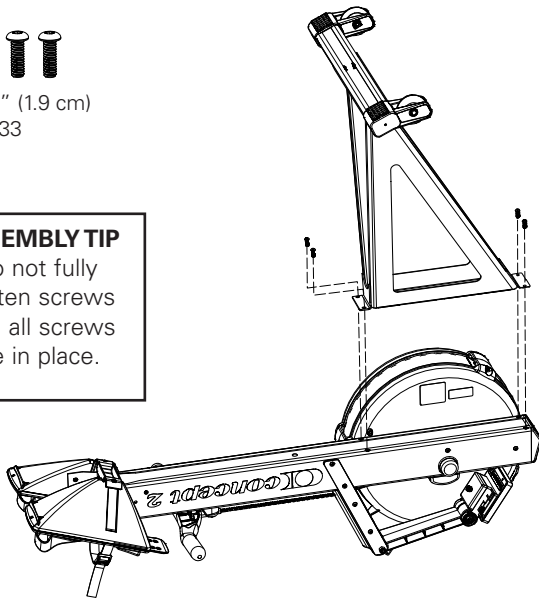
Do not fully tighten screws until all screws are in place.



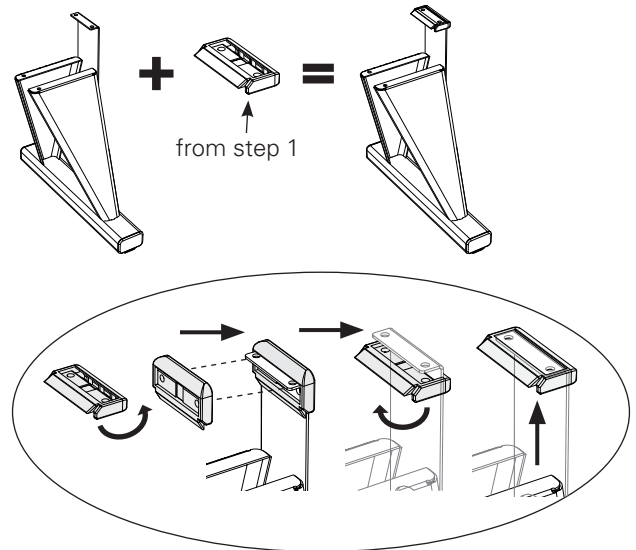
**3**   
(4) 3/4" (1.9 cm)  
PN 2233

**ASSEMBLY TIP**

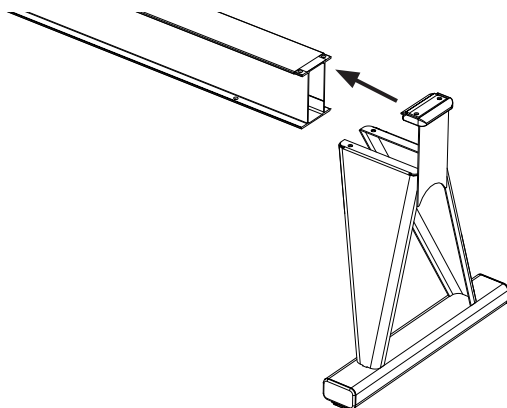
Do not fully tighten screws until all screws are in place.




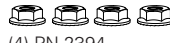
**4**



**5**



**6**

  
(4) 5/8" (1.58 cm)  
PN 2395  
  
(4) PN 2394

